



Warewashing Systems

COMPACT CATALOG

UNDERCOUNTERS

Coffee Shops • Bars • Quick Service Restaurants • Convenience Stores • <80-Seat Restaurants • Small Assisted Living Facilities Day Care Centers

DISHSTAR® HT-E-SEER *QUICK-SHIP*



24/20*
 0.65
 24¼" x 26⅞" x 33⅝"

DISHSTAR® HT-E *QUICK-SHIP*



36/27*
 0.65
 24¼" x 25" x 33⅝"

DISHSTAR® HT *QUICK-SHIP*



30/24*
 1.1
 24¼" x 25" x 33⅝"

DISHSTAR® LT/LTH *QUICK-SHIP*



30/24*
 1.2
 24¼" x 25" x 33⅝"

GLASSWASHERS

Coffee Shops • Bars • Restaurants • Hotel and Casino Bars • Hotel Housekeeping Areas

DELTA® HT-E-SEER-T *QUICK-SHIP*



24/20* 864/720*
 0.65
 24¼" x 26⅞" x 41¼"

DELTA® HT-E-SEER-S *QUICK-SHIP*



24/20* 864/720*
 0.65
 24¼" x 26⅞" x 36¼"

DELTA® 115/1200 *QUICK-SHIP*



1200
 10
 25¼" x 25" x 39"

DELTA® 5-E *QUICK-SHIP*



39/29* 1,404/1,044*
 1.24
 24½" x 25¼" x 39"

HIGH TEMP DOOR-TYPES

Coffee Shops • Quick Service Restaurants • <100-Seat Full Service Restaurants
<125-Bed Health Care Facilities • Elementary Schools • Small Middle & High Schools

DYNASTAR® electric only



QUICK-SHIP

 62/57*

 0.66

 WxDxH 28¾" x 34" x 62½"

DYNASTAR® VER electric only



QUICK-SHIP

 40/38*

 0.66

 WxDxH 29¼" x 34½" x 62¾"

TEMPSTAR® electric only



QUICK-SHIP

 63/58*

 0.89

 WxDxH 32" x 29" x 64¾"

TEMPSTAR® VER electric only



QUICK-SHIP



 41/39*

 0.89

 WxDxH 32" x 30¾" x 82"

TEMPSTAR® HH-E electric only



QUICK-SHIP

 60/55*

 0.72

 WxDxH 28¾" x 31¾" x 76¾"

TEMPSTAR® HH-E VER electric only



QUICK-SHIP



 40/37*

 0.72

 WxDxH 28¾" x 32¾" x 93"

NXP-HTD electric only



QUICK-SHIP

 63/58*

 0.89

 WxDxH 30¾" x 29" x 64"

QUICK-SHIP



**IN STOCK &
READY TO SHIP**

LOW TEMP DOOR-TYPES

Coffee Shops • Quick Service Restaurants • <100-Seat Full Service Restaurants
<125-Bed Health Care Facilities • Elementary Schools • Small Middle & High Schools

CONSERVER® XL-E/LTH



QUICK-SHIP

 41/39*

 1.02


 WxDxH 30¾" x 29½" x 68½"

CONSERVER® XL-E-FL



QUICK-SHIP

 41/39*

 1.02

 WxDxH 25¼" x 30¾" x 68½"

CONSERVER® XL HH




QUICK-SHIP

 41/39*


 1.61


 WxDxH 29¼" x 29½" x 79"

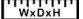
CONSERVER® XL2



QUICK-SHIP
(pass-thru model only)

 82/74*

 1.17

 WxDxH 50½" x 29¼" x 68½"

LEGEND



High Temperature Sanitizing



Racks per Hour



Gallons per Hour



Glasses per Hour



Chemical Sanitizing



Gallons per Rack



Dimensions
(W x D x H)



Dishes per Hour

CONVEYORS

100+ Seat Full-Service Restaurants • Large Elementary, Middle & High Schools • 100-200 Bed Health Care Facilities • Hotel Restaurants • Casino Restaurants • Catering Operations • Small Banquet Facilities

RACKSTAR® SERIES

RACKSTAR® 44

electric or steam



223



0.35 (Econo)
0.52 (Turbo)



64" x 30" x 68½"
64" x 30" x 73¼" (Tall)

RACKSTAR® 44-ER

electric



223



0.35 (Econo)
0.52 (Turbo)



64" x 30" x 82"
64" x 30" x 87¼" (Tall)

RACKSTAR® 66

electric or steam



223



0.35 (Econo)
0.52 (Turbo)



86" x 30" x 68½"
86" x 30" x 73¼" (Tall)

RACKSTAR® 66-ER

electric



223



0.35 (Econo)
0.52 (Turbo)



86" x 30" x 82"
86" x 30" x 87¼" (Tall)

AJX-44 SERIES

AJX-44

electric



225 (Hi-Temp)
209 (Chemical)



0.68 (Hi-Temp)
0.78 (Chemical)



62" x 26¾" x 75½"

AJX-66

electric



225 (Hi-Temp)
209 (Chemical)



0.68 (Hi-Temp)
0.78 (Chemical)



84" x 33" x 75½"

RACKSTAR®



0.35



223

AJ-64 SERIES

AJ-64

electric or steam



287



0.77



82" x 33" x 75½"

AJ-86

electric or steam



287



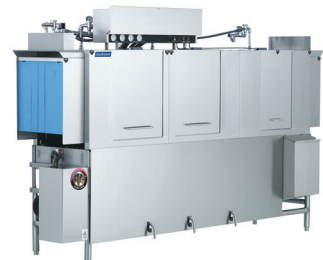
0.77



104" x 33" x 75½"

AJ-100

electric or steam



287



0.77



118" x 33" x 75½"



Warewashing Systems

FLIGHT-TYPES

Hospitals • College and University Dining Facilities • Casinos • Lodging
Banquet Halls • Large Employee Cafeterias • Correctional Facilities



FlightStar®

electric or steam



14,964



50 (Econo)
92 (Turbo)



45" Width
87" Height
25" Clearance
Specify Length

Jackson's FlightStar can be sized and outfitted with options to accommodate your operation's particular type and amount of wares, as well as the layout of your dishroom.

ROUND DOOR-TYPES

Coffee Shops • Churches • Quick Service Restaurants
<50-Seat Restaurants



10 Series

electric only



50/45*



1.29



33¼" x 25½" x 56¼"

Models include:
10 A • 10 AB • 10 U • 10 APRB
10 AB/NSU • 10 AB-N70

COMPLIMENTARY START-UP



Most** new Jackson manufactured dishmachines qualify for a Complimentary Performance & Installation Check by a Jackson Authorized Service Agent (ASA)*. When the machine is installed by a Jackson ASA, this complimentary service is provided at the time of installation.

When the installation is not performed by the local Jackson ASA we will still conduct the Complimentary Performance & Installation Check to verify the installation was done correctly and that the machine is operating properly. Contact Jackson Technical Service with questions regarding this service.

*Jackson WWS limits travel time to two (2) hours and mileage to one hundred (100) miles round trip. Jackson WWS will not pay for travel time and mileage that exceed this, or any fees such as those for air or boat travel without prior authorization. For machines located beyond the above stated limitations, please contact Jackson Technical Service for assistance via phone, 1-888-800-5672.

**NXP Series models do not qualify

ABOUT JACKSON

Jackson WWS is a full-line supplier of high-quality commercial dishmachines including flights, conveyors, door-types, glasswashers and undercounters. Founded in 1925, Jackson stands by their "Clean the First Time®" commitment with dishmachines that deliver optimal cleaning performance while reducing labor, chemical and utility costs. With more standard features, lower operating and acquisition costs and our network of factory-certified technicians, Jackson sets the standard for warewashing. For more information about Jackson and its full line of warewashing solutions, please visit www.jacksonwws.com or call 1.888.800.5672.

*Racks per hour calculated with NSF suggested load time
*Based on racks per hour calculated with NSF suggested load time

Contact Jackson

07610-003-68-46 [01/01/21]

Address
6209 N U.S. Highway 25E
Gray, Kentucky 40734

Telephone & Fax
T 888.800.5672
F 606.523.1799

Email
customer.service@jacksonwws.com



We reserve the right to change specifications in this document without incurring any obligation for equipment previously or subsequently sold.